

Standard Hydraulic Stabilization Legs (Measurements shown in inches | mm)

Part #	Bore	Stroke	Mounting Height (MH)*	Shoe	Shoe Type
--------	------	--------	-----------------------	------	-----------

Load Rating: **16,000 lbs | 71.2 kN**

2030-18	3.0 76	18.0 457	17.0 432	10.0 254	Swivel
2010-18	3.0 76	18.0 457	24.0 610	10.0 254	Swivel
2027-18	3.0 76	18.0 457	24.0 610	10.0 254	Swivel
2014-18	3.0 76	18.0 457	26.0 660	10.0 254	Swivel
3510000265	3.0 76	25.0 635	23.5 596	10.0 254	Swivel (outrigger mount)
3510000108	3.0 76	18.0 457	26.6 676	10.0 254	Swivel (outrigger mount)
2012-25	3.0 76	25.0 635	33.5 851	10.0 254	Swivel

Load Rating: **24,000 lbs | 106.8 kN**

300071	3.5 89	15.0 381	25.4 645	10.0 254	Fixed
9010000324	3.5 89	15.0 381	25.6 650	16.0 406	Fixed
300072	3.5 89	16.5 419	26.9 683	10.0 254	Fixed
300554	3.5 89	20.5 521	20.1 510	12.0 305	Swivel
300578	3.5 89	20.5 521	27.5 697	12.0 305	Swivel
300074	3.5 89	20.5 521	30.3 769	12.0 305	Swivel
300075	3.5 89	20.5 521	35.2 894	12.0 305	Swivel
300553	3.5 89	24.5 622	16.2 412	12.0 305	Swivel
300076	3.5 89	24.5 622	34.2 869	12.0 305	Swivel
300666	3.5 89	25.5 648	13.5 342	16.0 406	Swivel
3510000014	3.5 89	35.0 889	13.5 342	16.0 406	Swivel

Load Rating: **24,000 lbs | 106.8 kN - Stiff Legs**

300301	3.5 89	20.5 521	30.3 769	12.0 305	Swivel (right)
300305	3.5 89	24.5 622	34.2 869	12.0 305	Swivel (right)
300672	3.5 89	26.1 662	30.3 769	12.0 305	Swivel (left for inboard mounting)
300671	3.5 89	26.1 662	30.3 769	12.0 305	Swivel (right for inboard mounting)

POWER-PACKER



© 2015, Power-Packer. All rights reserved.

Standard Hydraulic Stabilization Legs (Measurements shown in inches | mm)

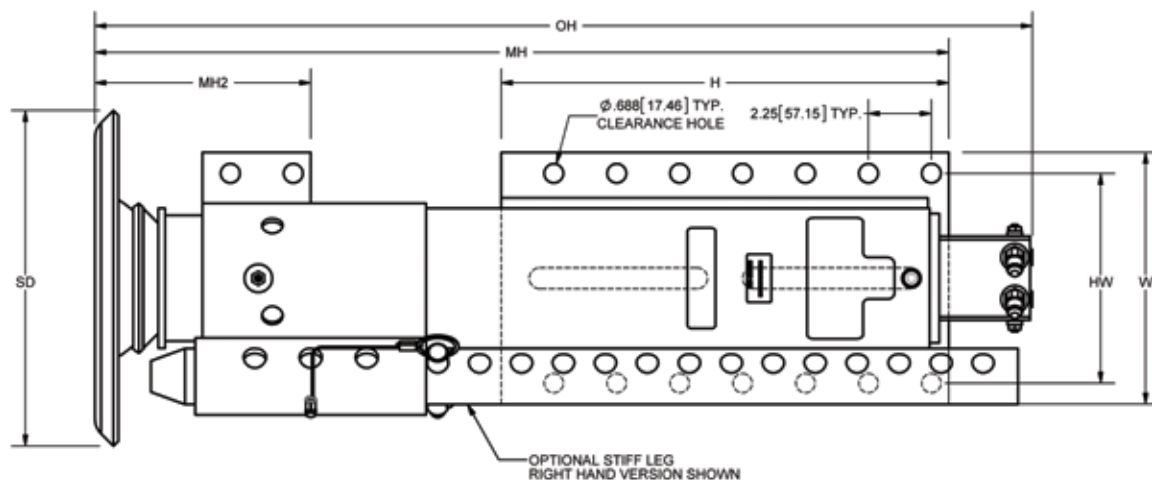
Part #	Bore	Stroke	Mounting Height (MH)*	Shoe	Shoe Type
--------	------	--------	-----------------------	------	-----------

Load Rating: 37,000 lbs | 164.6 kN at 3,000 psi

9010000862	4.0 102	15.0 381	25.4 645	10.0 254	Fixed
9010000863	4.0 102	16.5 419	26.9 684	10.0 254	Fixed
9010000864	4.0 102	16.5 419	28.7 728	12.0 305	Swivel
9010000807	4.0 102	20.5 521	30.5 776	12.0 305	Swivel
9010000820	4.0 102	20.5 521	35.5 901	12.0 305	Swivel
9010000839	4.0 102	24.5 622	25.2 639	12.0 305	Swivel
9010000818	4.0 102	24.5 622	34.5 876	12.0 305	Swivel
9010000816	4.0 102	25.5 648	13.7 349	16.0 406	Swivel
9010000892	4.0 102	30.0 762	30.0 763	12.0 305	Swivel
9010000824	4.0 102	36.0 914	21.2 539	12.0 305	Swivel
9010000874	4.0 102	36.0 914	20.6 523	12.0 305	Swivel
9010000815	4.0 102	36.0 914	31.0 787	12.0 305	Swivel
9010000795	4.0 102	36.0 914	30.6 777	12.0 305	Swivel
9010000893	4.0 102	36.0 914	32.5 827	16.0 406	Swivel
9010000822	4.0 102	36.0 914	36.0 915	12.0 305	Swivel
9010000885	4.0 102	36.0 914	36.5 928	16.0 406	Swivel

Load Rating: 37,000 lbs | 164.6 kN at 3,000 psi - Stiff Legs

9010000827	4.0 102	16.5 419	27.0/6.1 686/155	10.5 267	Fixed (dual mounting plates)
9010000826	4.0 102	16.5 419	27.0/6.1 686/155	10.5 267	Fixed (dual mounting plates)
9010000894	4.0 102	20.5 521	31.0 788	16.0 406	Swivel
9010000806	4.0 102	20.5 521	30.5 776	12.0 305	Swivel (right)
9010000805	4.0 102	20.5 521	30.5/7.7 775/196	12.0 305	Swivel (left - dual mounting plates)
9010000804	4.0 102	20.5 521	30.5/7.7 775/196	12.0 305	Swivel (right - dual mounting plates)
9010000854	4.0 102	24.5 622	34.5 876	12.0 305	Swivel (right)
9010000819	4.0 102	24.5 622	34.5 876	12.0 305	Swivel (center)
9010000825	4.0 102	36.0 914	30.5/7.7 775/196	12.0 305	Swivel (center - dual mounting plates)



Power-Packer standard hydraulic stabilization leg 3.0" to 4.0" bore

Standard Hydraulic Stabilization Legs (Measurements shown in inches | mm)

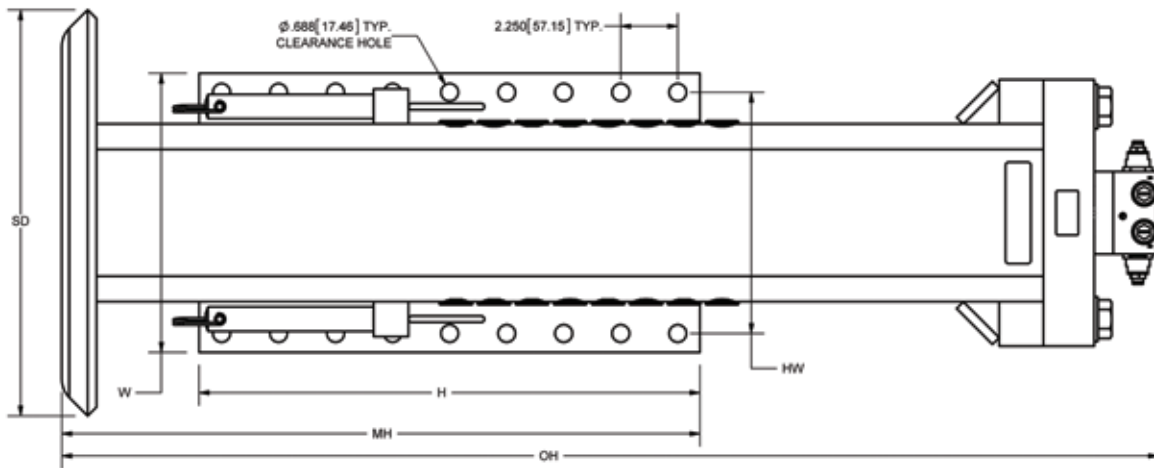
Part #	Bore	Stroke	Mounting Height (MH)*	Shoe	Dual CB Valve P/N	Shoe Type
--------	------	--------	-----------------------	------	-------------------	-----------

Load Rating: **49,000 lbs | 218.0 kN**

300463	5.0 127	18.0 457	20.5 521	16.0 406	9010001080	Swivel
9010000603	5.0 127	18.0 457	20.5 521	16.0 406		Swivel
300464	5.0 127	24.0 610	20.5 521	16.0 406		Swivel
300465	5.0 127	36.0 914	20.5 521	16.0 406	9010001079	Swivel
9010000605	5.0 127	48.0 1219	20.5 521	16.0 406		Swivel

Load Rating: **49,000 lbs | 218.0 kN - Stiff Legs**

300487	5.0 127	18.0 457	25.2 640	16.0 406	9010001083	Swivel
300488	5.0 127	24.0 610	25.2 640	16.0 406	90100001078	Swivel
300490	5.0 127	36.0 914	25.2 640	16.0 406		Swivel
300491	5.0 127	48.0 1219	25.2 640	16.0 406		Swivel
300563	5.0 127	48.0 1219	25.2/64.4 640/1636	16.0 406		Swivel (dual mounting plates)



Power-Packer standard hydraulic stabilization leg 5.0" bore



Standard Hydraulic Stabilization Legs (Measurements shown in inches | mm)

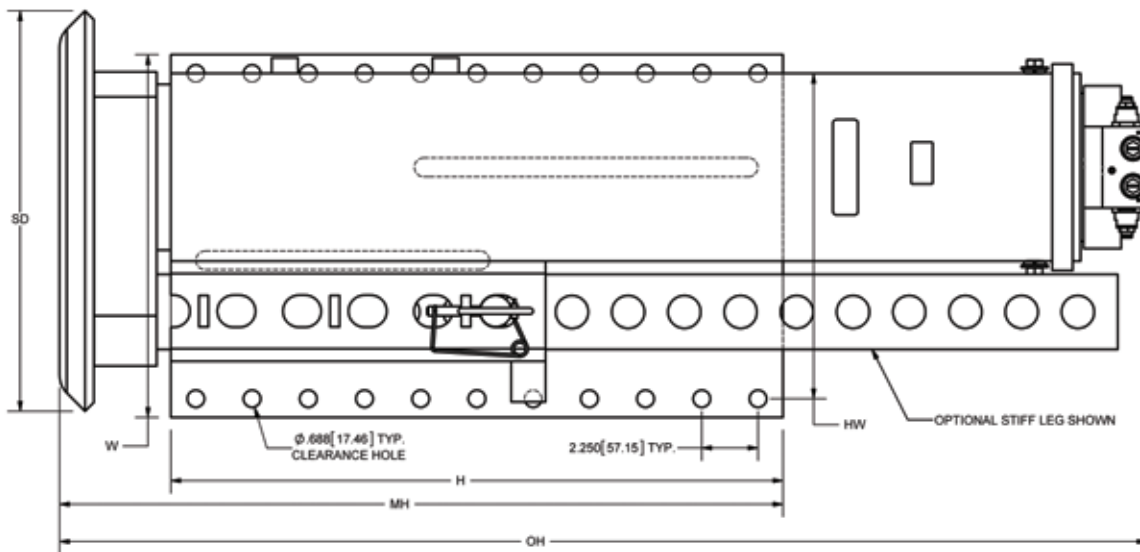
Part #	Bore	Stroke	Mounting Height (MH)*	Shoe	Dual CB Valve P/N	Shoe Type
--------	------	--------	-----------------------	------	-------------------	-----------

Load Rating: **70,000 lbs | 311.4 kN**

300050	6.0 152	18.0 457	28.5 724	16.0 406	9010001081	Swivel
300084	6.0 152	24.0 610	28.5 724	16.0 406	9010001076	Swivel
300137	6.0 152	36.0 914	28.5 724	16.0 406	9010001182	Swivel
300154	6.0 152	48.0 1219	28.5/62.5 724/1588	16.0 406		Swivel (dual mounting plates)

Load Rating: **70,000 lbs | 311.4 kN - Stiff Legs**

300184	6.0 152	18.0 457	29.0 736	16.0 406		Swivel
300431	6.0 152	24.0 610	29.0 736	16.0 406	9010001074	Swivel
300439	6.0 152	36.0 914	29.0 736	16.0 406	9010001075	Swivel



Power-Packer standard hydraulic stabilization leg 6.0" bore