

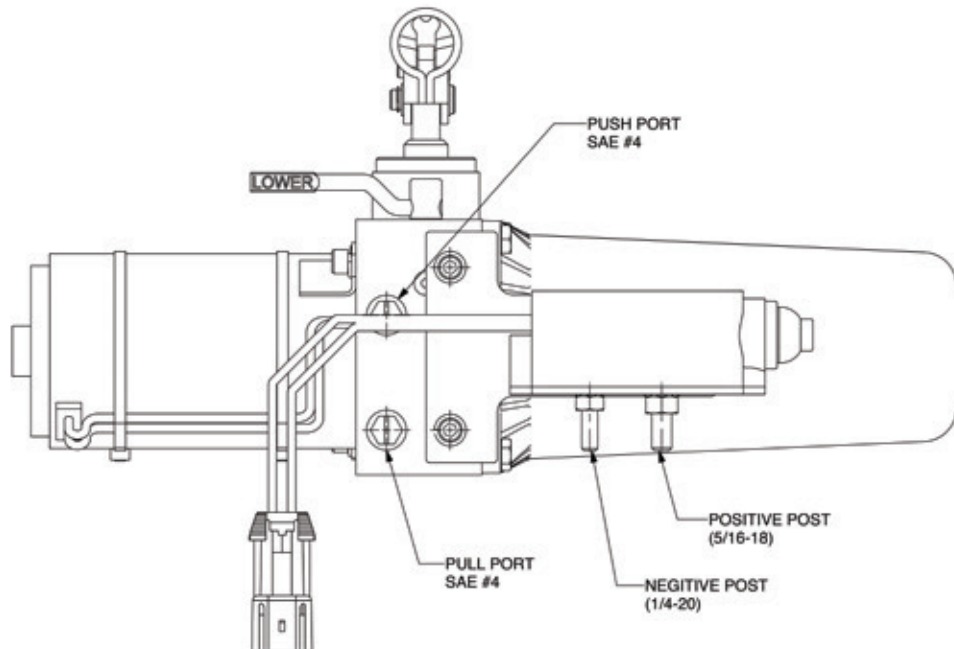
# Cab Tilt System Components

## PUMPS

Part #	Pressure Relief Setting psi   bar		Description	Reservoir* Size Cubic Inches   Liters
HP50024201	4500-4800	310.3-330.9	Hand pump	35   0.6
HP50024207	5200-5500	358.5-379.2	Hand pump	35   0.6
HP50034200	4000-4300	275.8-296.5	Hand pump	35   0.6
HP50034204	4000-4300	275.8-296.5	Hand pump	35   0.6
HP50034207	3600-3900	248.2-268.9	Hand pump	35   0.6
HP50034216	3600-3900	248.2-268.9	Hand pump	35   0.6
HP50044204	3200-3500	220.6-241.3	Hand pump	35   0.6
HP50044215	3200-3500	220.6-241.3	Hand pump w/ side ports	35   0.6
AU1540412	4500-4800	310.3-330.9	Hand pump w/ air assist	35   0.6
AU1340413	4000-4300	275.8-296.5	Hand pump w/ air assist	35   0.6
AU1340414	4000-4300	275.8-296.5	Hand pump w/ air assist	65   1.1
AU1340415	1700-2000	117.2-137.9	Hand pump w/ air assist	35   0.6
AU1340417	3200-3500	220.6-241.3	Hand pump w/ air assist	35   0.6
AU1340418	3200-3500	220.6-241.3	Hand pump w/ air assist	35   0.6
AU1340421	3200-3500	220.6-241.3	Hand pump w/ air assist	65   1.1
AU1540413	4500-4800	310.3-330.9	Hand pump w/ air assist	35   0.6
AU1540422	3200-3500	220.6-241.3	Hand pump w/ air assist	65   1.1
AU1540425	3800-4200	262.0-289.6	Hand pump w/ air assist/side ports	35   0.6
				<b>Motor Voltage (V)</b>
EP25044300	2100-2400	144.8-165.5	DC pump w/ hand pump	24
EP35013300	3100-3400	213.7-234.4	DC pump w/ hand pump	12
EP35013301	2700-3000	186.2-206.8	DC pump w/ hand pump	12
EP35013304	3100-3400	213.7-234.4	DC pump w/ hand pump	24



\* Reservoirs not included with pump.



# Cab Tilt System Components

## HYDRAULIC LATCHES (Measurements shown in inches | mm)

Part #	Description	Height	Length	Top Length	Mounting Holes	Base Dimensions
LH30037220	Latch w/ pin indicator	12.4   316	5.5   140	4.0   102	4	5.5 x 4.0   140 x 102
LH30037232	Latch w/ pin indicator	12.5   318	6.25   159	3.5   89	2	6.25 x 3.5   159 x 89
LH30037233	Latch w/ pin indicator	12.5   318	6.25   159	3.5   89	2	6.25 x 3.5   159 x 89
LH50000101	Latch w/ pin indicator	3.75   95	6.6   167	4.5   114	4	4.5 x 4.0   114 x 102
LH50000104	Latch w/ pin indicator	3.2   82	6.6   167	4.5   114	4	4.5 x 4.0   114x 102
LH50000107	Latch w/ NO (Normally Open) switch	3.2   82	6.5   165	4.4   113	4	4.5 x 4.0   115 x 102
LH50000109	Latch w/ NO (Normally Open) switch, Packard connector	3.2   82	6.5   165	4.4   113	4	4.5 x 4.0   115 x 102
LH50000116	Latch w/ NO (Normally Open) switch, Packard connector	3.2   82	6.5   165	4.4   113	4	4.5 x 4.0   115 x 102
LH50000123	Latch w/ NC (Normally Closed) switch w/proximity sensor	3.2   82	6.5   165	4.4   113	4	4.5 x 4.0   115 x 102

### SPECS FOR ALL LATCHES:

Operating pressure maximum: 5000 psi

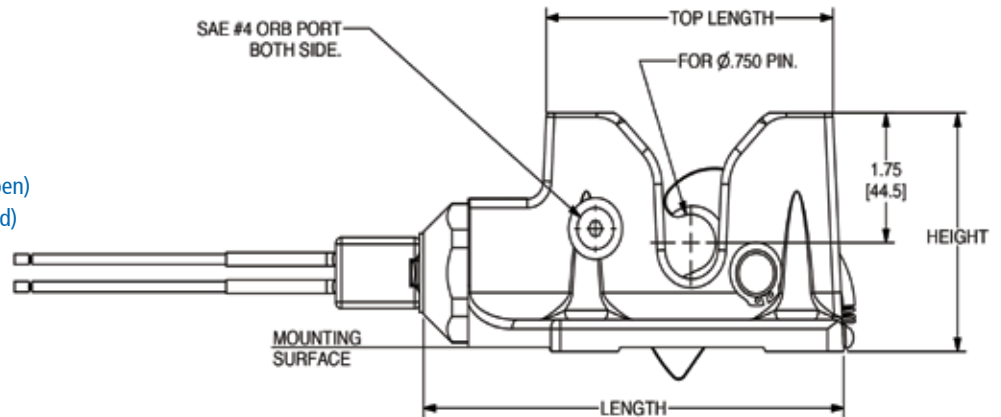
Piston diameter: 1.375"

Operating pressure to open latch: 200-350 psi

Maximum vertical pull load: 10,000 lbs.

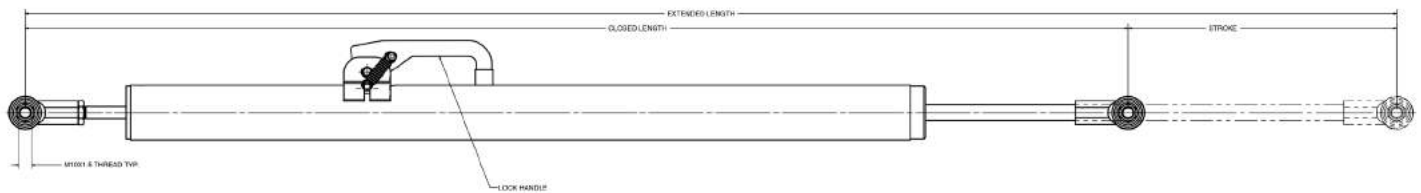
NO switch indicates when latch is unlatched (open)

NC switch indicates when latch is latched (closed)



## HOOD ASSIST CYLINDERS (Measurements shown in inches | mm unless noted)

Part #	Spring Rate	Stroke	Retracted Length	Extended Length	Spring Force Retracted	Spring Force Extended	Lock Feature
SA16095001	5.1 lbs   884 n	8.6   219	33.6   852	42.2   1072	59.6 lbs   265 n	102.3 lbs   455 n	Yes
SA16095000	5.1 lbs   884 n	8.6   219	33.6   852	42.2   1072	59.6 lbs   265 n	102.3 lbs   455 n	Yes



# Cab Tilt System Components

## HYDRAULIC CYLINDERS (Measurements shown in inches | mm)

Part #	Bore	Stroke	Retracted Length*	Extended Length*	Ports	Single or Double Acting	Velocity Fuse	Max Working Pressure psi   bar
CA10107301	1.5   38	9.75   248	15.9   404	25.7   651.76	1/8-27 NPTF	S	Y	5000   344.7
CS10137302	1.5   38	13.0   330	19.5   495	32.5   826	1/8-27 NPTF	S	N	5000   344.7
CA15087501	1.5   38	7.9   200	13.5   343	21.4   544	1/8-27 NPTF	D	Y	5000   344.7
CA15137308	1.5   38	13.4   340	23.4   594	36.75   933	1/8-27 NPTF	D	Y	5000   344.7
CA15167309	1.5   38	16.25   413	23.9   609	40.2   1021	1/8-27 NPTF	D	Y	5000   344.7
CA15167310	1.5   38	16.25   413	23.5   597	39.75   1010	1/8-27 NPTF	D	Y	5000   344.7
CA15187501	1.5   38	17.8   453	25.9   659	43.7   1112	1/8-27 NPTF	D	Y	5000   344.7
CA15187506	1.5   38	18.1   459	28.5   723	46.5   1182	#4 SAE ORB	D	Y	5000   344.7
CA15217500	1.5   38	20.9   530	44.2   1123	65.1   1653	1/8-27 NPTF	D	Y	5000   344.7
CA15227503	1.5   38	21.8   554	29.6   752	51.4   1307	1/8-27 NPTF	D	Y	5000   344.7
CD13167504	1.25   32	16.0   406	25.25   641	41.25   1048	1/8-27 NPTF	D	Y	5000   344.7
CD15157502	1.5   38	15.2   385	23.6   600	38.8   986	1/8-27 NPTF	D	N	5000   344.7
CD15167503	1.5   38	16.0   406	25.25   641	41.25   1048	1/8-27 NPTF	D	N	5000   344.7
CA20107307	2.0   51	10.5   267	17.9   454	28.3   718	1/8-27 NPTF	D	Y	3000   206.8
CA20187307	2.0   51	18.1   459	28.5   723	46.5   1182	#4 SAE ORB	D	Y	3500   241.3
9010000197	3.0   76	14.5   367	9.5   241	23.9   608	1/8-27 NPTF	D	Y	3000   206.8
9010000608	2.0   51	17.4   441	9.0   229	26.4   671	#4 SAE ORB	D	Y	3500   241.3
9010000609**	3.0   76	15.9   404	13.7   348	29.6   752	#4 SAE ORB	S	N	3500   241.3
9010000617**	3.0   76	15.9   404	13.7   348	29.6   752	#4 SAE ORB	S	N	3500   241.3
9010000625**	3.0   76	15.9   404	13.7   348	29.6   752	#4 SAE ORB	S	N	3500   241.3

\* Retracted length is the length from the cylinder connection to the plunger connection when cylinder is completely retracted. Extended length is the length from the cylinder connection to the plunger connection when cylinder is completely extended.

\*\* These are lost motion cylinders for less noise and a smoother cab ride.

