

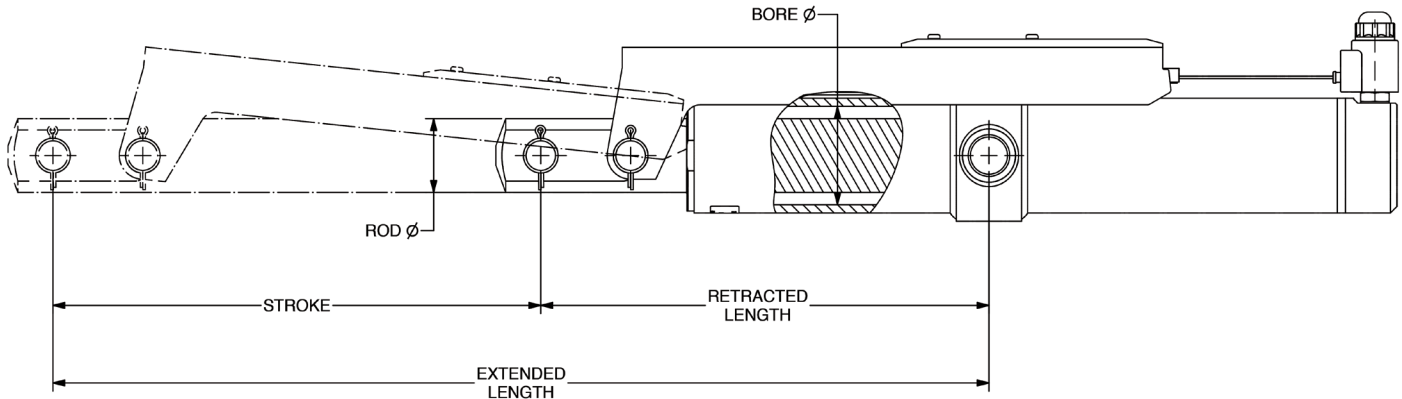
**Hydraulic Motion Control for Fire and Rescue Applications** (Measurements shown in inches | mm)

**HYDRAULIC CYLINDERS** (Measurements shown in inches | mm)

Part #	Bore	Stroke	Retracted Length*	Extended Length*	Ports	Single or Double Acting	Velocity Fuse	Max Working Pressure psi   bar
CA10107301	1.50   38.10	9.75   247.65	15.91   404.11	25.66   651.76	1/8-27 NPTF	S	Y	5000   344.7
CS10137302	1.50   38.10	13.00   330.20	19.50   495.30	32.50   825.50	1/8-27 NPTF	S	N	5000   344.7
CA15087501	1.50   38.10	7.88   200.15	13.50   342.90	21.38   543.05	1/8-27 NPTF	D	Y	5000   344.7
CA15137308	1.50   38.10	13.37   339.60	23.38   593.85	36.75   933.45	1/8-27 NPTF	D	Y	5000   344.7
CA15167309	1.50   38.10	16.25   412.75	23.94   608.08	40.19   1020.83	1/8-27 NPTF	D	Y	5000   344.7
CA15167310	1.50   38.10	16.25   412.75	23.50   596.90	39.75   1009.65	1/8-27 NPTF	D	Y	5000   344.7
CA15187501	1.50   38.10	17.82   452.63	25.94   658.88	43.76   1111.50	1/8-27 NPTF	D	Y	5000   344.7
CA15187506	1.50   38.10	18.07   458.98	28.45   722.63	46.52   1181.61	#4 SAE ORB	D	Y	5000   344.7
CA15217500	1.50   38.10	20.86   529.84	44.20   1122.68	65.06   1652.52	1/8-27 NPTF	D	Y	5000   344.7
CA15227503	1.50   38.10	21.81   553.97	29.61   752.09	51.42   1306.07	1/8-27 NPTF	D	Y	5000   344.7
CD13167504	1.25   31.75	16.00   406.40	25.25   641.35	41.25   1047.75	1/8-27 NPTF	D	Y	5000   344.7
CD15157502	1.50   38.10	15.16   385.06	23.64   600.46	38.80   985.52	1/8-27 NPTF	D	N	5000   344.7
CD15167503	1.50   38.10	16.00   406.40	25.25   641.35	41.25   1047.75	1/8-27 NPTF	D	N	5000   344.7
CA20107307	2.00   50.80	10.50   266.70	17.88   454.15	28.26   717.80	1/8-27 NPTF	D	Y	3000   206.8
CA20187307	2.00   50.80	18.07   458.98	28.45   722.63	46.52   1181.61	#4 SAE ORB	D	Y	3500   241.3
9010000197	3.00   76.20	14.45   367.03	9.48   240.79	23.93   607.82	1/8-27 NPTF	D	Y	3000   206.8
9010000608	2.00   50.80	17.38   441.45	9.02   229.11	26.40   670.56	#4 SAE ORB	D	Y	3500   241.3
9010000609**	3.00   76.20	15.90   403.86	13.72   348.49	29.62   752.35	#4 SAE ORB	S	N	3500   241.3
9010000617**	3.00   76.20	15.90   403.86	13.72   348.49	29.62   752.35	#4 SAE ORB	S	N	3500   241.3
9010000625**	3.00   76.20	15.90   403.86	13.72   348.49	29.62   752.35	#4 SAE ORB	S	N	3500   241.3

\* Retracted length is the length from the cylinder connection to the plunger connection when cylinder is completely retracted. Extended length is the length from the cylinder connection to the plunger connection when cylinder is completely extended.

\*\* These are lost motion cylinders for less noise and a smoother cab ride.

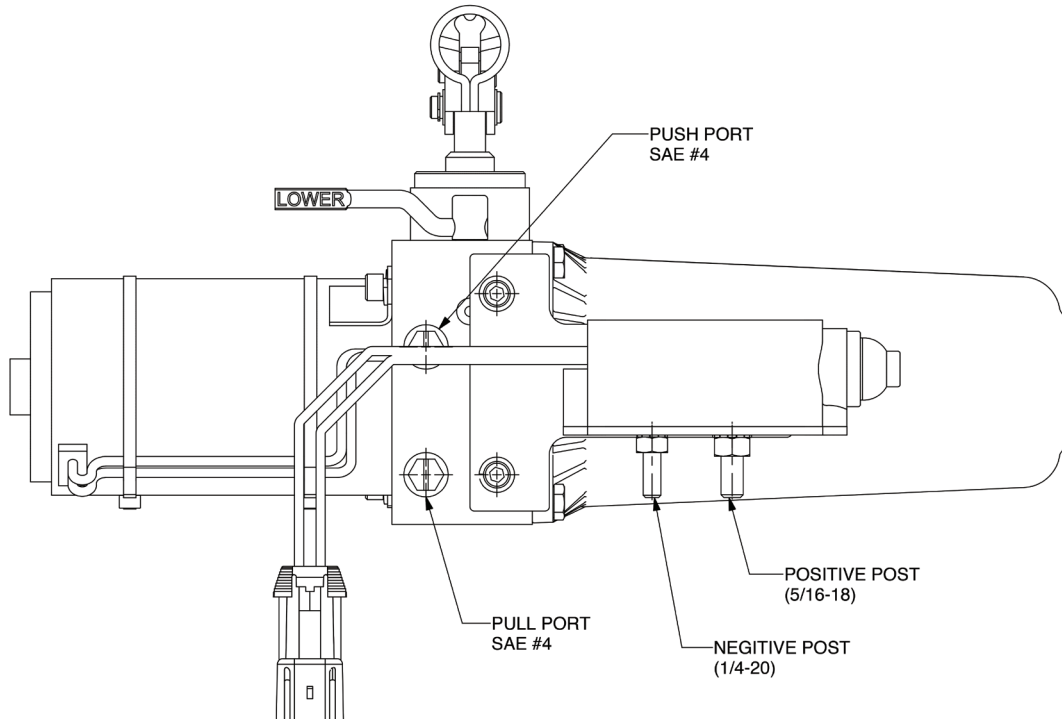


**Hydraulic Motion Control for Fire and Rescue Applications** (Measurements shown in inches | mm)

**PUMPS**

Part #	Pressure Relief Setting psij   bar	Description	Reservoir* Size Cubic Inches   Liters
HP50024201	4500-4800   310.3-330.9	Hand pump w/ directional valve	35   0.57
HP50024207	5200-5500   358.5-379.2	Hand pump w/ directional valve	35   0.57
HP50034200	4000-4300   275.8-296.5	Hand pump w/ directional valve	35   0.57
HP50034204	4000-4300   275.8-296.5	Hand pump w/ directional valve	35   0.57
HP50034207	3600-3900   248.2-268.9	Hand pump w/ directional valve	35   0.57
HP50034216	3600-3900   248.2-268.9	Hand pump w/ directional valve	35   0.57
HP50044204	3200-3500   220.6-241.3	Hand pump w/ directional valve	35   0.57
AU1540412	4500-4800   310.3-330.9	Hand pump w/ air assist	35   0.57
AU1340413	4000-4300   275.8-296.5	Hand pump w/ air assist	35   0.57
AU1340414	4000-4300   275.8-296.5	Hand pump w/ air assist	65   1.06
AU1340415	1700-2000   117.2-137.9	Hand pump w/ air assist	35   0.57
AU1340417	3200-3500   220.6-241.3	Hand pump w/ air assist	35   0.57
AU1340418	3200-3500   220.6-241.3	Hand pump w/ air assist	35   0.57
AU1340421	3200-3500   220.6-241.3	Hand pump w/ air assist	65   1.06
AU1540413	4500-4800   310.3-330.9	Hand pump w/ air assist	35   0.57
AU1540422	3200-3500   220.6-241.3	Hand pump w/ air assist	65   1.06
			<b>Motor Voltage (V)</b>
EP25044300	2100-2400   144.8-165.5	DC pump w/ hand pump	24
EP35013300	3100-3400   213.7-234.4	DC pump w/ hand pump	12
EP35013301	2700-3000   186.2x206.8	DC pump w/ hand pump	12
EP35013304	3100-3400   213.7-234.4	DC pump w/ hand pump	24

\* Reserv



**Hydraulic Motion Control for Fire and Rescue Applications** (Measurements shown in inches | mm)

**HYDRAULIC LATCHES** (Measurements shown in inches | mm)

Part #	Description	Height	Length	Top Length	Mounting Holes	Base Dimensions
LH30037220	Latch w/ pin indicator	12.44   315.98	5.50   139.70	4.00   101.60	4	5.50 x 4.00   139.70 x 101.60
LH30037232	Latch w/ pin indicator	12.50   317.50	6.25   158.75	3.50   88.90	2	6.25 x 3.50   158.75 x 88.90
LH30037233	Latch w/ pin indicator	12.50   317.50	6.25   158.75	3.50   88.90	2	6.25 x 3.50   158.75 x 88.90
LH50000101	Latch w/ pin indicator	3.75   95.25	6.57   166.88	4.50   114.30	4	4.50 x 4.00   114.30 x 101.60
LH50000104	Latch w/ pin indicator	3.22   81.79	6.57   166.88	4.50   114.30	4	4.50 x 4.00   114.30 x 101.60
LH50000107	Latch w/ NO (Normally Open) switch	3.22   81.79	6.49   164.85	4.43   112.52	4	4.52 x 4.00   114.81 x 101.60
LH50000109	Latch w/ NO (Normally Open) switch, Packard connector	3.22   81.79	6.49   164.85	4.43   112.52	4	4.52 x 4.00   114.81 x 101.60
LH50000116	Latch w/ NO (Normally Open) switch, Packard connector	3.22   81.79	6.49   164.85	4.43   112.52	4	4.52 x 4.00   114.81 x 101.60
LH50000123	Latch w/ NC (Normally Closed) switch w/proximity sensor	3.22   81.79	6.49   164.85	4.43   112.52	4	4.52 x 4.00   114.81 x 101.60

**SPECS FOR ALL LATCHES:**

Operating pressure maximum: 5000 psi

Piston diameter: 1.375"

Operating pressure to open latch: 200-350 psi

Maximum vertical pull load: 10,000 lbs.

